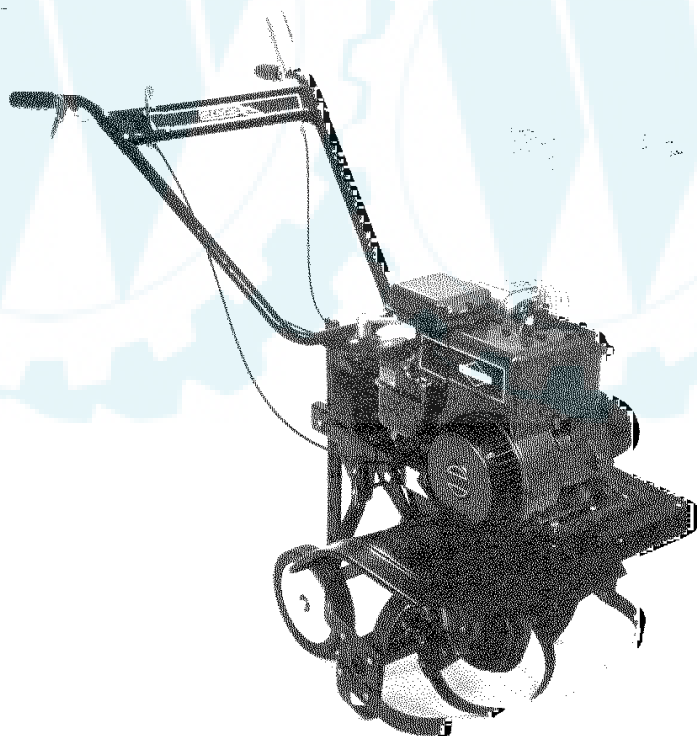




Motozappa • Motobineuse • Motortiller
Motorhacke • Motoazada

**RICAMBI
RECHANGES
SPARE PARTS
ERSATZTEILE
RECAMBIOS**



**mod. CRICKET 35 - 50 - 50R
mod. ERMA 355 - 505 - 505R**

| N.ord. - N. pieces part. N. - bestell N. | RICAMBI SPARE PARTS | RECHANGES ERSATZEILE | RECAMBIOS | Q | |
|---|---|---|----------------------|---|--------|
| A 6M P601 83 | kit dischi laterali kit side disk | kit disque lateral Kit Kolfersscheiben | kit discos laterales | 1 | |
| B 6M P601 53 | kit ruote motrici kit driving wheel | kit roue motrice Kit Antriebsraber | kit ruedas motrice | 1 | (2 pz) |
| C 6M P601 23 | kit assolcatore kit ridger | kit buttoir Kit Fuechenzieher | kit aparcador | 1 | (2 pz) |
| D 6M P601 03 | kit aratro kit plough | kit charrue Kit Pflug | kit arado | 1 | |
| E 6M P602 03 | kit frese tiller blades kit | kit fraises Fräsensatz | kit fresa | 1 | |
| F 6M P601 13 | kit aratro reversibile reversible plough kit | kit brabant double Wendepflug | kit arado reversible | 1 | |
| | | | | | |
| | | | | | |
| | | | | | |
| | | | | | |
| | | | | | |
| | | | | | |
| | | | | | |
| | | | | | |
| | | | | | |
| | | | | | |
| | | | | | |
| | | | | | |
| | | | | | |
| | | | | | |
| | | | | | |
| | | | | | |
| | | | | | |
| | | | | | |
| | | | | | |
| | | | | | |
| | | | | | |
| | | | | | |
| | | | | | |
| | | | | | |

mod. CRICKET 35 - 50 - 50R - mod. ERMA 335 - 505 - 505R
MOTOZAPPA - MOTOBINEUSE - MOTORTILLER - MOTORHACKE - MOTOAZADA

TAV. 1

| N.ord. - N. pieces part. N. - bestell N. | RICAMBI SPARE PARTS | RECHANGES ERSATZTEILE | RECAMBIOS | Q | |
|---|---|--|-------------------|-------------|-----------|
| 1 10 5000 33 | guaina sheirting | gaine Hülle | mango | 2 | |
| 2 10 6513 00 | coppiglia cotter pin | goupille Splint | pasador | 1 | |
| 3 10 6550 03 | plancia comandi dash board | planche Armaturen brett | placa de conexión | 1 | |
| 4 10 6552 00 | vite screw | vis Schraube | tornillo | 4 | TE M6X40 |
| 5 20 6776 00 | vite screw | vis Schraube | tornillo | 2 | TE M6x12 |
| 6 10 6707 00 | manico handle | guidon Griff stange | manillar | 1 | |
| 7 10 1159 00 | rondella ondulata washer | rondelle Scheibe | arandela | 2 | Ø6,5 |
| 8 20 2818 00 | dado nut | écrou Mutter | tuerca | 4 | M6 NYLON |
| 9 10 4252 00 | acceleratore accelerator | accélérateur Beschleuniger | acelerador | 1 | m 1040 |
| 10 10 5012 00 | dado nut | écrou Mutter | tuerca | 4 2 1 | M6 |
| 11 10 6516 00 | asta rod | tige Stange | reja | 1 | |
| 12 20 5012 90 | coppiglia cotter pin | goupille Splint | pasador | 3 | |
| 13 10 6511 00 | perno pin | pivot Zapfen | perno | 1 | |
| 14 10 6702 00 | scoocca deck | châssis Gehäuse | chasis | 1 | |
| 15 10 6520 00 | vite screw | vis Schraube | tornillo | 2 | TE 10Mx75 |
| 16 20 4809 00 | vite screw | vis Schraube | tornillo | 4 | TE M6x16 |
| 17 09 6775 00 | vite screw | vis Schraube | tornillo | 1 | TE M10x85 |
| 18 20 6523 00 | supporto bearing | supporto Halter | soporte | 2 | |
| 19 10 2866 06 | rondella dentellata washer | rondella Scheibe | arandela | 4 1 | Ø 6 E |
| 20 10 1294 00 | tirante tie rod | tirant Zugstange | gancho | 1 | |
| 21 20 1290 00 | spina elastica resilient pin | goupille expansible Spann Hülse | pasador | 1 | Ø 6x36 |
| 22 10 5011 60 | dado nut | écrou Mutter | tuerca | 2 1 | M10 NYLON |
| 23 20 5013 70 | vite screw | vis Schraube | tornillo | 1 | TE M6x20 |
| 24 10 6793 03 | riduttore reduction unit | réducteur Üntersetzung Getriebe | reductor | 1 | |
| 25 10 1286 83 | maniglia frizione clutch lever | levier d'embrayage Kupplungshebel | mando | 1 | |
| 26 10 6514 00 | perno pin | pivot Zapfen | perno | 1 | |
| 27 09 6789 00 | supporto con cavo frizione bearing with clutch cable | support avec cable d'embrayage Halter mit Kupplungzug | soporte con cable | 1 | |

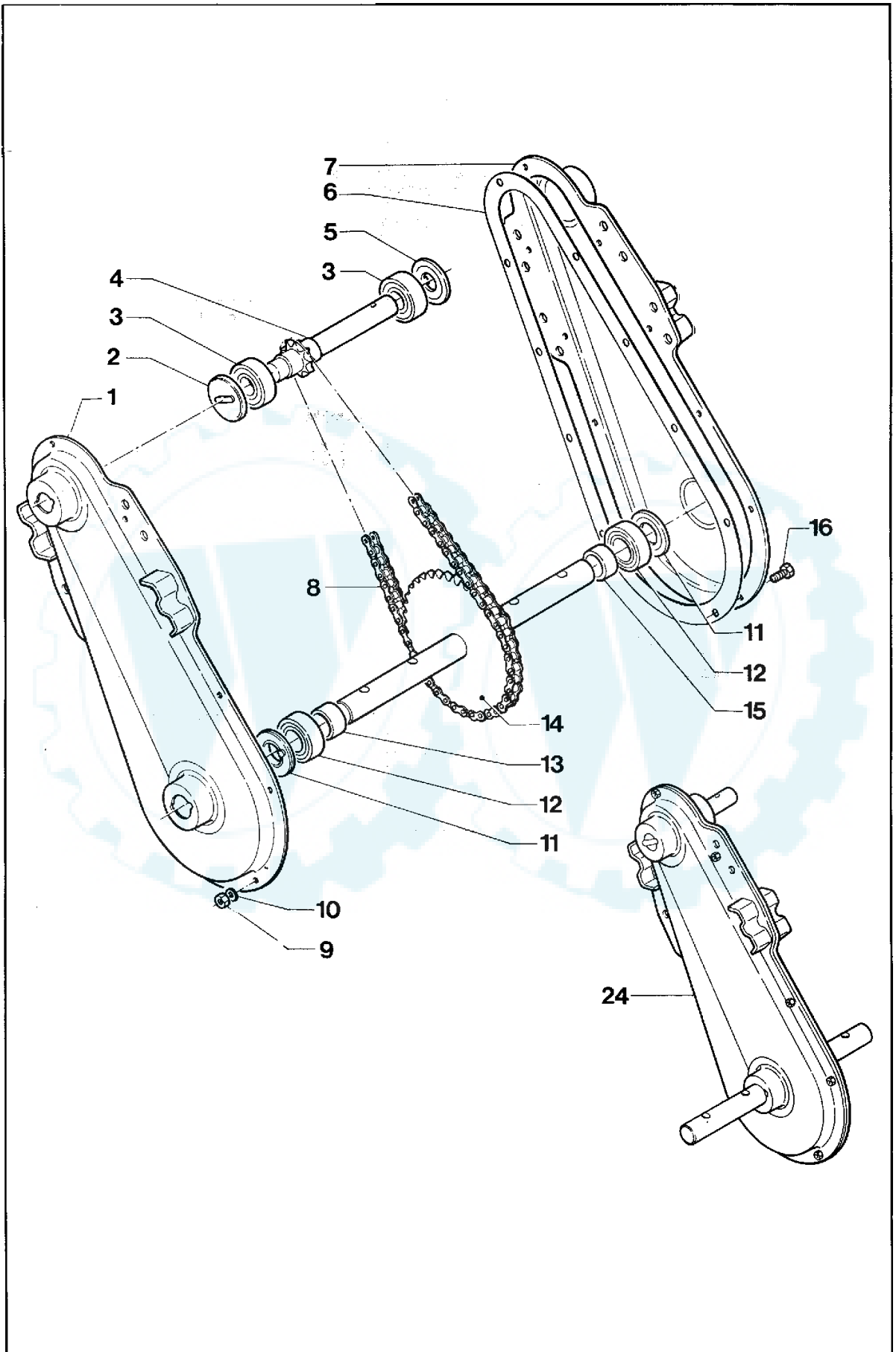
| N.ord. - N. pieces part. N. - bestell N. | RICAMBI SPARE PARTS | RECHANGES ERSATZTEILE | RECAMBIOS | Q | |
|---|-------------------------------------|-------------------------------------|-------------------|--------|-------------------------|
| 28 10 6737 00 | leva bloccaggio lever | levier Hebel | mando | 1 | |
| 29 10 6741 00 | rondella washer | rondelle Scheibe | arandela | 1 | |
| 30 10 6546 03 | carter cinghia housing | carter Gehäuse | carter | 1 | |
| 31 10 6534 00 | molla spring | ressort Feder | muelle | 1 | |
| 32 20 5013 10 | dado nut | écrou Mutter | tuerca | 1 | M10 |
| 33 20 1062 00 | rondella dentellata washer | rondelle Scheibe | arandela | 2 3 | Ø 8 E |
| 34 20 1063 00 | dado nut | écrou Mutter | tuerca | 2 | M8 |
| 35 10 6535 00 | protezione frese housing | carter Gehäuse | tapa protectora | 1 | |
| 36 20 3823 00 | vite screw | vis Schraube | tomillo | 2 | TE M8x20 |
| 37 10 3908 00 | vite screw | vis Schraube | tomillo | 4 | TE M8x40 |
| 38 10 6537 00 | perno pin | pivot Zapfen | perno | 1 | |
| 39 10 6536 00 | molla spring | ressort Feder | muelle | 1 | |
| 40 20 6558 00 | seeger seeger | seeger Seegerring | seeger | 1 | Ø 12 E |
| 41 09 1286 33 | puleggia pulley | poulie Riemenscheibe | polea | 1 | |
| 42 10 6711 00 | tendinghia avanti belt stretcher | tendeur de corroie Riemenspanner | tensor de correas | 1 | |
| 43 10 6543 00 | vite screw | vis Schraube | tomillo | 3 | TE-UNF Ø 5/16 x 5/8" |
| 44 10 1353 80 | rondella washer | rondelle Scheibe | arandela | 1 | Ø 8/30/3 |
| 45 10 6545 00 | chiavetta khey | clavette Keil | chaveta | 1 | 5x5x23 |
| 46 10 6718 00 | puleggia pulley | poulie Riemenscheibe | polea | 1 | |
| 47 10 6721 00 | distanziale spacer | entretoise Abstandsstück | distanciador | 1 | |
| 48 20 4049 00 | dado nut | écrou Mutter | tuerca | 4 | M8 NYLON |
| 49 10 1142 00 | rondella washer | rondelle Scheibe | arandela | 4 | Ø 8 |
| 50 10 6701 00 | puleggia pulley | poulie Riemenscheibe | polea | 1 | |
| 51 10 6544 00 | cinghia belt | courroie Keilriemen | correa | 1 | A x 45 |
| 52 10 4274 00 | vite autofilettante screw | vis Schraube | tomillo | 2 | Ø 4,8x13 |
| 53 10 1260 00 | rondella washer | rondelle Scheibe | arandela | 2 | Ø 6x18 |
| 54 10 6501 03 | carter housing | carter Gehäuse | carter | 1 | |

mod. CRICKET 35 - 50 - 50R - mod. ERMA 335 - 505 - 505R

MOTOZAPPA - MOTOBINEUSE - MOTORTILLER - MOTORHACKE - MOTOAZADA

TAV. 1

| N.ord. - N. pieces part. N. - bestell N | RICAMBI SPARE PARTS | RECHANGES ERSATZTEILE | RECAMBIOS | Q | |
|--|---|--|--------------------------|---|-------------|
| 55 10 6717 00 | guidacinchia belt slide | guidage du courroie Riemenführung | guía de correa | | |
| 56 10 6586 03 | stella esterna sinistra external left star | étoile extérieure gauche Link aussen hackschfen | fresa exterior izquierda | | |
| 57 10 6734 03 | stella interna sinistra inner left star | étoile intérieure gauche Inner links hackschauen | fresa interior izquierda | | |
| 58 10 6733 03 | stella interna destra inner right star | étoile intérieur droite Inner rechts hackschauen | fresa interior derecha | | |
| 59 20 5009 10 | perno con molla pin with spring | pivot avec ressort Zapfen mit feder | perno con muelle | | |
| 60 10 6585 03 | stella esterna destra external right star | étoile extérieur droite Rechts aussen hackschauen | fresa exterior derecha | | |
| 61 20 6554 00 | supporto ruote bearing | support Halter | soporte rueda | 1 | |
| 62 20 6512 00 | perno pin | pivot Zapfen | perno | 2 | |
| 63 10 4026 07 | ruota wheel | roue Räder | rueda | 2 | |
| 64 20 1016 00 | vite screw | vis Schraube | tornillo | 2 | |
| 65 20 1017 00 | dado nut | écrou Mutter | tuerca | 2 | M10 |
| 66 30 1021 00 | rondella washer | rondelle Scheibe | arandela | 2 | Ø 10 E |
| 67 20 1130 00 | rondella washer | rondelle Scheibe | arandela | 2 | Ø 10/30/2,5 |
| | | | | | |
| | | | | | |
| | | | | | |
| | | | | | |
| | | | | | |
| | | | | | |
| | | | | | |
| | | | | | |
| | | | | | |
| | | | | | |
| | | | | | |
| | | | | | |
| | | | | | |
| | | | | | |
| | | | | | |
| | | | | | |
| | | | | | |

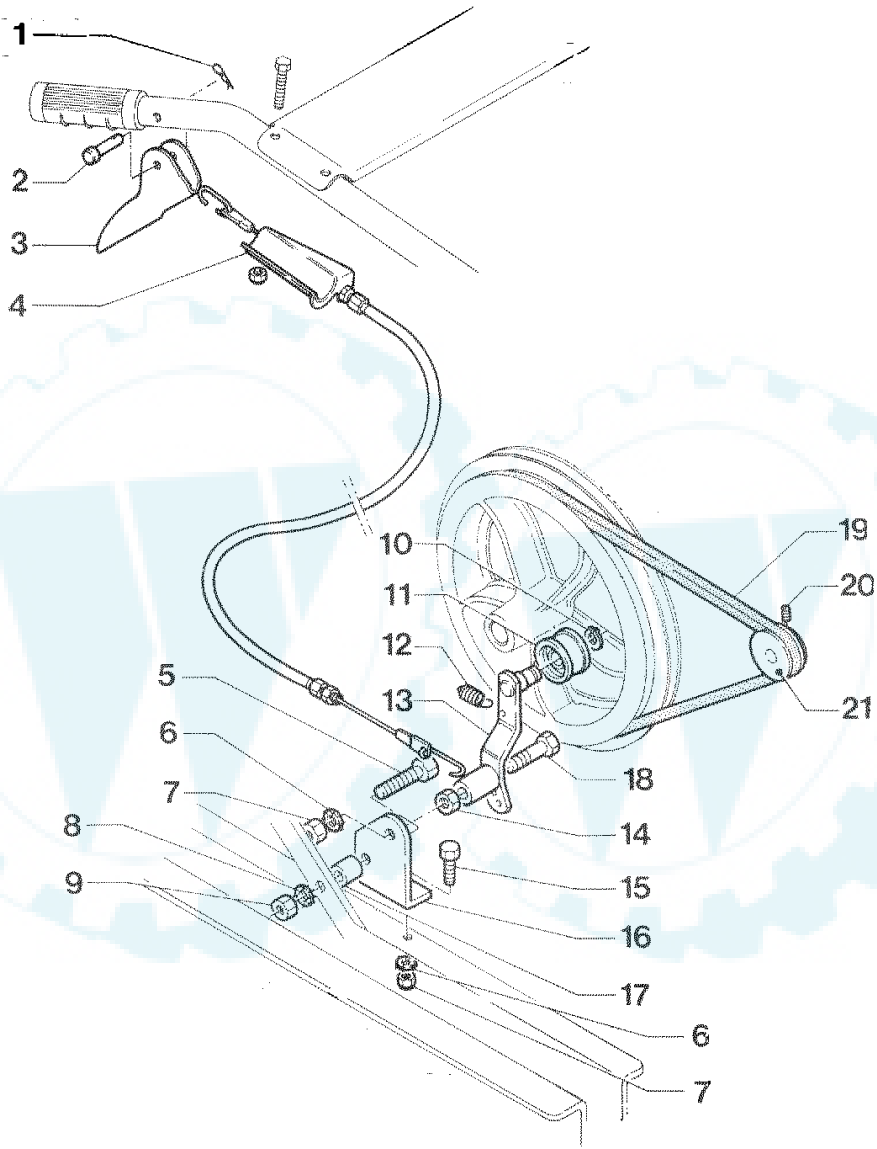


| N.ord. - N. piezas part. N. - bestell N. | RICAMBI SPARE PARTS | RECHANGES ERSATZTEILE | RECAMBIOS | Q | |
|---|--------------------------------------|-------------------------------------|---------------------|----|------------------------|
| 1 20 6723 03 | cassa reduction gearbox | boîtier Getriebegehäuse | caja | 1 | |
| 2 20 6745 03 | anello tenuta gas ring | bague d'étanchéité Dichtungsring | anillo de retencion | 1 | |
| 3 20 1225 60 | cuscinetto ball bearing | roulement Kugellager | cojinete | 2 | Ø 40/47/14 6204-2RS |
| 4 20 6794 00 | albero entrata shaft | arbre Welle | eje entrada | 1 | |
| 5 20 6744 03 | anello tenuta gas ring | bague d'étanchéité Dichtungsring | anillo retención | 1 | |
| 6 20 6762 00 | guarnizione gasket | garniture Dichtung | junta | 1 | |
| 7 20 6743 03 | cassa gearbox | boîtier Getriebegehäuse | caja | 1 | |
| 8 20 6771 00 | catena chain | chaîne Kette | cadena | 1 | 1/2" x 5/16" |
| 9 20 5012 00 | dado nut | écrou Mutter | tuerca | 10 | M6 |
| 10 20 6505 19 | rondella washer | rondelle Scheibe | arandela | 10 | |
| 11 20 6735 03 | anello tenuta gas ring | bague d'étanchéité Dichtungsring | anillo de retención | 2 | |
| 12 20 6768 00 | cuscinetto ball bearing | roulement Kugellager | cojinete | 2 | Ø 25/42/12 6005-2RS |
| 13 20 6759 00 | distanziale spacer | entretoise Abstandsstück | distanciador | 1 | |
| 14 20 6795 00 | albero uscita shaft | arbre Welle | eje | 1 | |
| 15 20 6710 00 | distanziale spacer | entretoise Abstandsstück | distanciador | 1 | |
| 16 20 6551 00 | vite screw | vis Schraube | tornillo | 10 | TE M6x16 |
| | | | | | |
| 24 10 6793 03 | riduttore completo reduction unit | reducteur Untersetzung Getriebe | reductor completo | 1 | Z8 - Z40 1994 |
| | | | | | |
| | | | | | |
| | | | | | |
| | | | | | |
| | | | | | |
| | | | | | |
| | | | | | |
| | | | | | |
| | | | | | |
| | | | | | |
| | | | | | |
| | | | | | |
| | | | | | |

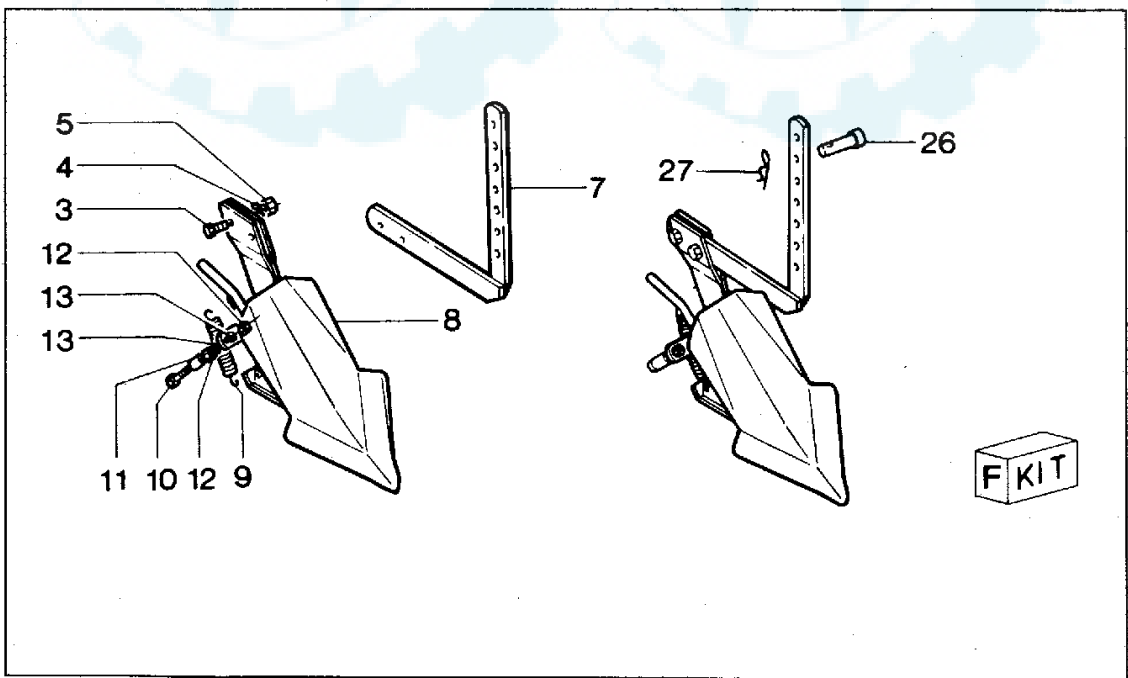
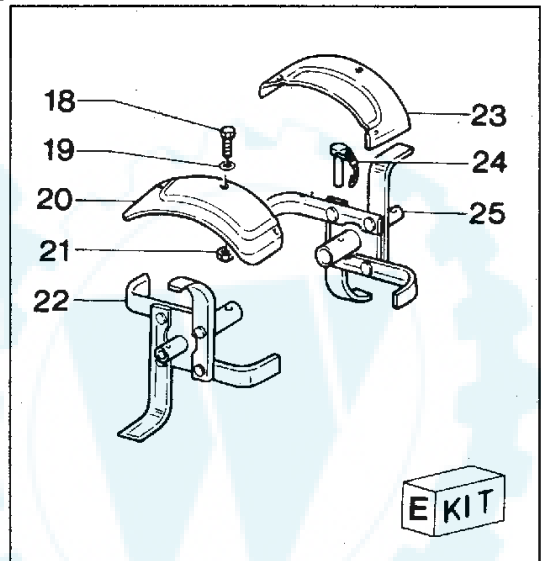
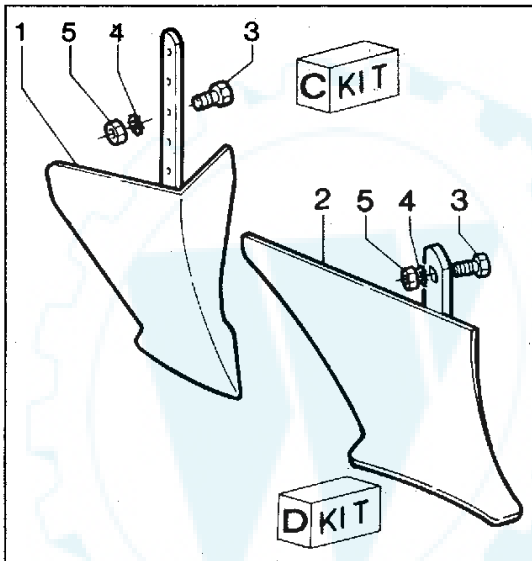
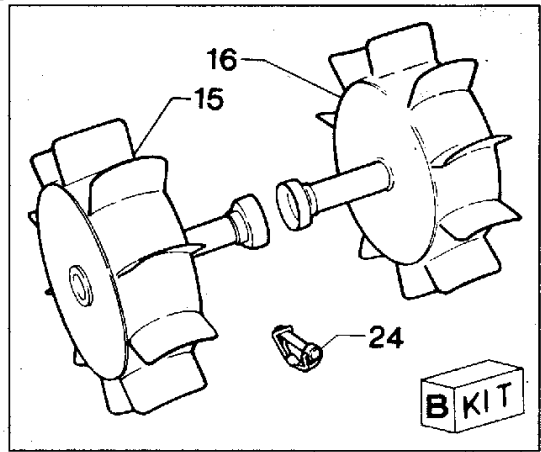
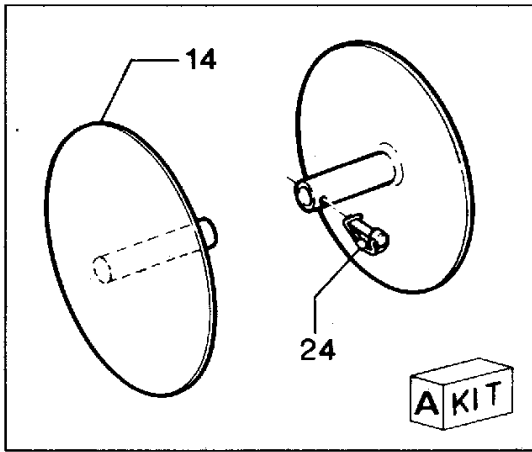
mod. CRICKET 35 - 50 - 50R - mod. ERMA 335 - 505 - 505R

RIDUTTORE COMPLETO - REDUCTEUR COMPLETE - REDUCER KIT - GETRIEBE - REDUCTOR COMPLETO TAV. 2

| N. ord. - N. pieces part. N. - bestell N. | RICAMBI SPARE PARTS | RECHANGES ERSATZTEILE | RECAMBIOS | Q | |
|--|--------------------------------------|-------------------------------------|-------------------|----|------------------------|
| 1 20 6723 03 | cassa reduction gearbox | boîtier Getriebegehäuse | bastidor | 1 | |
| 2 20 6745 03 | anello tenuta gas ring | bague d'étanchéité Dichtungsring | reten | 1 | |
| 3 20 1225 60 | cuscinetto ball bearing | roulement Kugellager | rodamiento | 2 | Ø 20/47/14 6204-2RS |
| 4 20 6726 00 | albero entrata shaft | arbre Welle | sinfin | 1 | |
| 5 20 6744 03 | anello tenuta gas ring | bague d'étanchéité Dichtungsring | reten | 1 | |
| 6 20 6762 00 | guarnizione gasket | garniture Dichtung | junta | 1 | |
| 7 20 6743 03 | cassa gearbox | boîtier Getriebegehäuse | bastidor | 1 | |
| 8 20 6771 00 | catena chain | chaîne Kette | cadena | 1 | 1/2" x 5/16" |
| 9 20 5012 00 | dado nut | écrou Mutter | tuerca | 10 | Ø M6 |
| 10 20 6505 19 | rondella washer | rondelle Scheibe | arandela | 10 | |
| 11 20 6735 03 | anello tenuta gas ring | bague d'étanchéité Dichtungsring | reten | 2 | |
| 12 20 6768 00 | cuscinetto ball bearing | roulement Kugellager | rodamiento | 2 | Ø 25/42/12 6005-2RS |
| 13 20 6759 00 | distanziale spacer | entretoise Abstandsstück | separador | 1 | |
| 14 20 6729 00 | albero uscita shaft | arbre Welle | eje salida | 1 | |
| 15 20 6710 00 | distanziale spacer | entretoise Abstandsstück | separador | 1 | |
| 16 20 6551 00 | vite screw | vis Schraube | tornillo | 10 | TE Ø M6x16 |
| | | | | | |
| 24 10 6722 03 | riduttore completo reduction unit | reducteur Untersetzung Getriebe | reductor completo | 1 | Z 9 - Z 39 1993 |
| | | | | | |
| | | | | | |
| | | | | | |
| | | | | | |
| | | | | | |
| | | | | | |
| | | | | | |
| | | | | | |
| | | | | | |
| | | | | | |
| | | | | | |



| N. ord. - N. pieces part. N. - bestell N. | RICAMBI SPARE PARTS | RECHANGES ERSATZTEILE | RECAMBIOS | Q | |
|--|---|--|-------------------|---|------------------|
| 1 10 6513 00 | coppiglia cotter pin | goupille Split | pasador | 1 | |
| 2 10 6514 00 | perno pin | pivot Zapfen | perno | 1 | |
| 3 10 6574 00 | maniglia frizione clutch lever | levier d'embrayage Kupplungshebel | palanca embrague | 1 | |
| 4 09 6791 00 | supporto con cavo bearing with cable | supporto avec cable Halter mit Kupplungszug | soporte con cable | 1 | |
| 5 10 3908 00 | vite screw | vis Schraube | tornillo | 1 | TE Ø M8x40 |
| 6 20 1062 00 | rondella washer | rondelle Scheibe | arandela | 2 | Ø 8/E |
| 7 20 1063 00 | dado nut | écrou Mutter | tuerca | 2 | Ø M8 |
| 8 30 1021 00 | rondella washer | rondelle Scheibe | arandela | 1 | Ø 10/E |
| 9 20 1017 00 | dado nut | écrou Mutter | tuerca | 1 | Ø M10 |
| 10 20 6558 00 | seeger seeger | seeger Seegerring | seeger | 1 | Ø 12/E |
| 11 09 1286 33 | puleggia pulley | poulie Riemenscheibe | polea | 1 | |
| 12 10 6781 00 | molla spring | ressort Feder | muelle | 1 | |
| 13 10 6715 00 | tendicinghia belt stretcher | tendeur de corroie Riemenspanner | tensor correa | 1 | |
| 14 20 5013 10 | dado nut | écrou Mutter | tuerca | 1 | Ø M10 |
| 15 10 3823 00 | vite screw | vis Schaube | tornillo | 1 | TE Ø M8x20 |
| 16 10 6714 00 | supporto bearing | support Halter | soporte | 1 | |
| 17 10 6779 00 | distanziale spacer | entretoise Abstandsstück | separador | 1 | |
| 18 10 6778 00 | vite screw | vis Schaube | tornillo | 1 | TE Ø M10x65 |
| 19 10 6746 00 | cinghia belt | courroie Riemen | correa | 1 | |
| 20 10 6775 00 | vite screw | vis Schraube | tornillo | 1 | GRANO Ø M6x16 |
| 21 10 6719 00 | puleggia pulley | poulie Riemenscheibe | polea | 1 | |
| | | | | | |
| | | | | | |
| | | | | | |
| | | | | | |
| | | | | | |
| | | | | | |



mod. CRICKET 35 - 50 - 50R - mod. ERMA 335 - 505 - 505R

ACCESSORI - ACCESSOIRES - EQUIPMENTS - SONDERZUBEHÖR - ACCESORIOS

TAV. 1

| N.ord. - N. pieces part. N. - Bestell N. | RICAMBI SPARE PARTS | RECHANGES ERSATZTEILE | RECAMBIOS | Q | |
|---|--|--|-----------------------------|---|-----------|
| 1 10 5030 01 | rincalzatore ridger | buttoir Furchenzeiher | aparcador | 1 | |
| 2 10 5030 21 | aratro plough | charrue Pflug | arado | 1 | |
| 3 20 5013 50 | vite screw | vis Schraube | tornillo | - | TE M10x35 |
| 4 30 1021 00 | rondella washer | rondelle Scheibe | arandela | - | Ø 10 E |
| 5 30 5013 10 | dado nut | écrou Mutter | tuerca | - | M10 |
| 7 10 5032 60 | asta rod | tige Stange | reja | 1 | |
| 8 10 5032 53 | corpo aratro reversibile reversible plough body | corps brabant double Hauptteil des Wendepflug | soporte de arado reversible | 1 | |
| 9 10 5033 01 | molla spring | ressort Feder | muelle | 1 | |
| 10 10 4045 00 | vite screw | vis Schraube | tornillo | 2 | TE M8x55 |
| 11 10 5032 70 | bussola bush | boucle Lager | pasador | 2 | |
| 12 20 1063 00 | dado nut | écrou Mutter | tuerca | 4 | M8 |
| 13 10 1142 00 | rondella washer | rondelle Scheibe | arandela | 4 | Ø 8 |
| 14 10 6600 03 | disco laterale side disk | disque lateral Kolterscheiben | discos laterales | 2 | |
| 15 10 5034 23 | ruota motrice driving wheel | roue motrice Antriebsrader | rueda motrice | 1 | |
| 16 10 5034 33 | ruota motrice driving wheel | roue motrice Antriebsrader | rueda motrice | 1 | |
| 18 10 6551 00 | vite screw | vis Schraube | tornillo | 6 | TE M6x16 |
| 19 10 6522 00 | rondella washer | rondelle Scheibe | arandela | 6 | Ø 6 |
| 20 10 6590 03 | paratoia destra right deflector | défecteur droite Rechts deflektor | protección derecha | 1 | |
| 21 20 2818 00 | dado nut | écrou Mutter | tuerca | 6 | M6 |
| 22 10 6587 03 | stella destra right star | etoile droite Rechts Hackschaufe | estrella derecha | 1 | |
| 23 10 6591 03 | paratoia sinistra left deflector | défecteur gauche Links deflektor | protección izquierda | 1 | |
| 24 20 5009 10 | perno con molla pin with spring | pivot avec ressort Zepfen mit Feder | perno con muella | - | |
| 25 10 6588 03 | stella sinistra left star | étoile gauche Links Hackschaufe | estrella izquierda | 1 | |
| 26 10 5013 01 | perno pin | pivot Zepfen | perno | 1 | |
| 27 20 5012 90 | coppiglia cotter pin | goupille Splint | pasador | 1 | |

